



# 7155/7165 Cyclone Dust Collector

## Owner's Manual



**Oliver Machinery**

Seattle, WA  
info@olivermachinery.net

**M-7155/7165 09/2011**

© Copyright 2003  
www.olivermachinery.net

## IMPORTANT SAFETY RULES

Wood working can be dangerous if safe and proper operating procedures are not followed. As with all machinery, there are certain hazards involved with the operation of the product. Using the machine with respect and caution will considerably lessen the possibility of personal injury. However, if normal safety precautions are overlooked or ignored, personal injury to the operator may result. Safety equipment such as guards, push sticks, hold-downs, featherboards, goggles, dust masks and hearing protection can reduce your potential for injury. But even the best guard won't make up for poor judgment, carelessness or inattention. Always use common sense and exercise caution in the workshop. If a procedure feels dangerous, don't try it. Figure out an alternative procedure that feels safer. REMEMBER: Your personal safety is your responsibility.

### WARNING: FAILURE TO FOLLOW THESE RULES MAY RESULT IN SERIOUS PERSONAL INJURY

1. FOR YOUR OWN SAFETY, READ INSTRUCTION MANUAL BEFORE OPERATING THE TOOL. Learn the tool's application and limitations as well as the specific hazards peculiar to it.
2. KEEP GUARDS IN PLACE and in working order
3. ALWAYS WEAR EYE PROTECTION
4. GROUND ALL TOOLS. If tool is equipped with three-prong plug, it should be plugged into a three-hole electrical receptacle. If an adapter is used to accommodate a two-prong receptacle, the adapter plug must be attached to a known ground. Never remove the third prong.
5. REMOVE ADJUSTING KEYS AND WRENCHES. Form habit of checking to see that keys and adjusting wrenches are removed from tool before turning it "ON" .
6. KEEP WORK AREA CLEAN. Cluttered areas and benches invite accidents.
7. DON'T USE IN DANGEROUS ENVIRONMENT. Don't use power tools in damp or wet locations, or expose them to rain. Keep work area well lighted.
8. KEEP CHILDREN AND VISITORS AWAY. All children and visitors should be kept a safe distance from work area.
9. MAKE WORKSHOP CHILDPROOF with padlocks, master switches, or by removing starter keys.
10. DON'T FORCE TOOL. It will do the job better and be safer at the rate for which it was designed.
11. USE RIGHT TOOL. Don't force tool or attachment to do a job for which it was not designed.
12. WEAR PROPER APPAREL. No loose clothing, gloves, neck-ties, rings, bracelets, or other jewelry to get caught in moving parts. Non-slip footwear is recommended. Wear protective hair covering to contain long hair.
13. ALWAYS USE SAFETY GLASSES. Wear safety glasses. Everyday eyeglasses only have impact resistant lenses; they are not safety glasses. Also use face or dust mask if cutting operation is dusty.
14. SECURE WORK. Use clamps or a vise to hold work when practical. It's safer than using your hand and frees both hands to operate tool.
15. DON'T OVERREACH. Keep proper footing and balance at all times.
16. MAINTAIN TOOLS IN TOP CONDITION. Keep tools sharp and clean for best and safest performance. Follow instructions for lubricating and changing accessories.
17. DISCONNECT TOOLS before servicing and when changing accessories such as blades, bits, cutters, etc.
18. USE RECOMMENDED ACCESSORIES. The use of accessories and attachments not recommended by us may cause hazards or risk of injury to persons.
19. REDUCE THE RISK OF UNINTENTIONAL STARTING. Make sure switch is in "OFF" position before plugging in power cord.
20. NEVER STAND ON TOOL. Serious injury could occur if the tool is tipped or if the cutting tool is accidentally contacted.
21. CHECK DAMAGED PARTS. Before further use of the tool, a guard or other part that is damaged should be carefully checked to ensure that it will operate properly and perform its intended function check for alignment of moving parts, binding of moving parts, breakage of parts, mounting, and any other conditions that may affect its operation. A guard or other part that is damaged should be properly repaired or replaced.
22. DIRECTION OF FEED. Feed work into a blade or cutter against the direction of rotation of the blade or cutter only.
23. NEVER LEAVE TOOL RUNNING UNATTENDED. TURN POWER OFF. Don't leave tool until it comes to a complete stop.
24. DRUGS, ALCOHOL, MEDICATION. Do not operate tool while under the influence of drugs, alcohol or any medication.
25. MAKES SURE TOOL IS DISCONNECTED FROM POWER SUPPLY while motor is being mounted, connected or reconnected.
26. WARNING: The dust generated by certain woods and wood products can be injurious to your health. Always operate machinery in well ventilated areas and provide for proper dust removal. Use wood dust collection systems whenever possible.

## **IMPORTANT SAFETY RULES FOR DUST COLLECTORS**

**WARNING:** Basic precautions should always be followed when using your dust collector. To reduce the risk of injury, electrical shock or fire, comply with the safety rules listed below:

1. **READ** and understand the instruction manual before operating the dust collector.
2. **DO NOT** leave the dust collector plugged into the electrical outlet. Unplug dust collector from outlet when not in use and before servicing, changing bags, unclogging and cleaning.
3. **ALWAYS** turn the power switch "OFF" before unplugging the dust collector.
4. **WARNING: TO REDUCE THE RISK OF ELECTRICAL SHOCK** do not use outdoors or on wet surfaces. Use for dry pickup only!
5. **FOLLOW** all electrical and safety codes, including the National Electric Code (NEC) and the Occupational Safety and Health Regulations (OSHA). All electrical connections and wiring should be made by qualified personnel only.
6. **DO NOT** use the dust collector to pick up flammable or combustible liquids, such as gasoline. **NEVER** use the dust collector near any flammable or combustible liquids.
7. **USE** the dust collector to pick up wood materials only. **DO NOT** use the dust collector to pick up metal shavings, dust, water, or parts.
8. **NEVER** use the dust collector to dissipate fumes or smoke. **NEVER** pick-up anything that is burning or smoking, such as cigarettes, matches or hot ashes.
9. **USE** only as described in this manual.
10. **DO NOT** pull the dust collector by the power cord. **NEVER** allow the power cord to come in contact with sharp edges, hot surfaces, oil or grease.
11. **DO NOT** unplug the dust collector by pulling on the power cord. **ALWAYS** grasp the plug, not the cord.
12. **DO NOT** handle the plug or dust collector with wet hands.
13. **REPLACE** a damaged cord immediately. **DO NOT** use a damaged cord or plug. If the dust collector is not operating properly, or has been damaged, left outdoors or has been in contact with water, return it to an Authorized Service Center for service.
14. **DO NOT** use the dust collector as a toy. **DO NOT** use near or around children.
15. **DO NOT** insert fingers or foreign objects into the dust intake ports. Keep hair, loose clothing, fingers, and all body parts away from openings and moving parts of the dust collector.
16. **DO NOT** use the dust collector without a filter bag and dust collection bag in place and properly secured.
17. **DO NOT** operate the dust collector with unused dust intake ports uncapped. **ALWAYS** cover exposed dust intake ports.
18. **PERIODICALLY INSPECT** dust and filter bags for any cuts, rips or tears. **NEVER** operate the dust collector with a damaged bag or vacuum hose.
19. The dust collector is designed for home use or light commercial duty **ONLY!**
20. **CONNECT** dust collector to a properly grounded outlet only. See Grounding Instructions.

## **GROUNDING INSTRUCTIONS**

The appliance must be grounded, if it should malfunction or breakdown, grounding provides a path of least resistance for electric current to reduce the risk of electric shock. This appliance is equipped with a cord having equipment-ground conductor and grounding plug. The plug must be inserted into an appropriate outlet that is properly installed and grounded in accordance with all local codes and ordinances.

### **WARNING**

Improper connection of the equipment-grounding conductor can result in a risk of electric shock. Check with a qualified electrician or service person if you are in doubt as to whether the outlet is properly grounded. Do not modify the plug provided with the appliance if it will not fit the outlet; have a proper outlet installed by a qualified electrician.

#### **For grounded, cord-connected appliances:**

This appliance is for use on a circuit having a normal rating more than 120 volt and is factory-equipped with a specific electric cord and plug to permit connection to a proper electric circuit. Make sure that the appliance is connected to an outlet having the same configuration as the plug. No adaptor should be used with this appliance. If the appliance must be reconnected for use on a different type of electric circuit, qualified service personnel should make the reconnection.

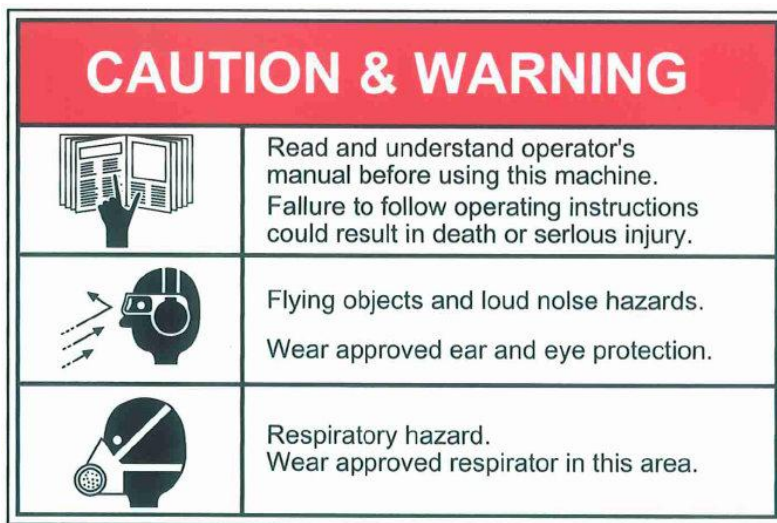
#### **For a permanently connected appliance:**

This appliance must be connected to a grounded metal, permanent wiring system; or an equipment-grounding conductor must be run with the circuit conductors and connected to the equipment grounding terminal or lead on the appliance.

## Table of Contents

## Page Number

Safety Rules .....	2-3
Grounding Rules .....	4
Table of Contents .....	5
Specifications .....	5
Unpacking Contents .....	6
Hardware Package .....	7
Assembly .....	8-10
Exploded Parts Diagram .....	11
Parts List .....	12-13
Warranty .....	14

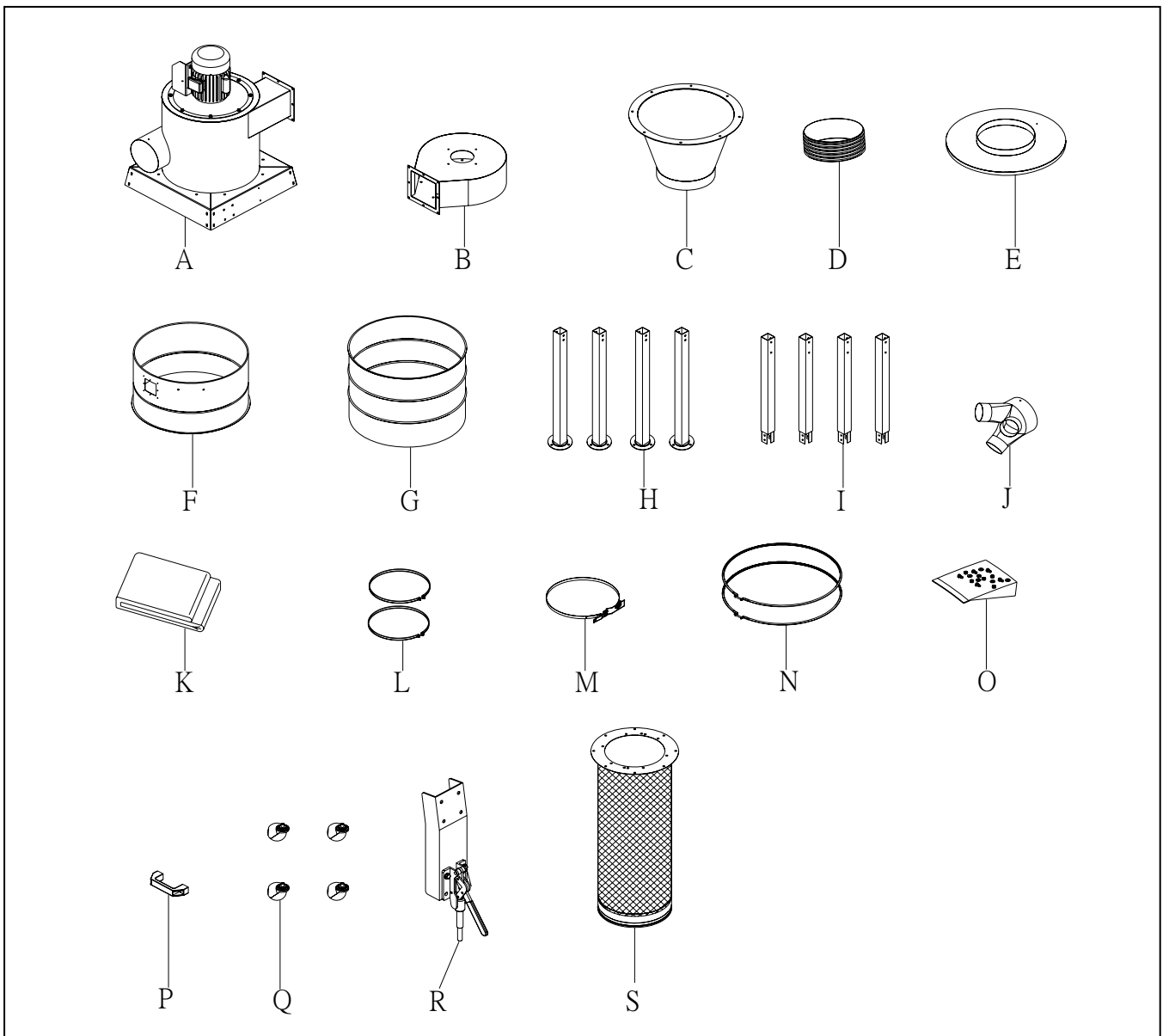


**Do Not Operate  
This Unit Without  
Dust Collection  
Hose or Pipe is  
installed onto the  
dust collection  
inlet port!**

## Specifications

	<b>7155</b>	<b>7165</b>
Motor	3HP, 1 Phase	5HP, 1 Phase or 3 Phase
Amps	18	28 or 18
Air Flow Volume CFM	2100	3600
Static Pressure (max.)	13 InH <sub>2</sub> O	16 InH <sub>2</sub> O
Impellor Diameter (in.)	14	16
Cannister (dia. X h) (in.)	14-1/2 x 39-3/8	19-5/8 x 39-3/8
Inlet Diameter (in.)	8	10
Bag Diameter	19-5/8"	23-5/8"
Drum Size	60 gallon	60 gallon
Sound Rating @ 10 feet	75-85 db	75-85 db
Overall size (lwxhx) (in.)	67 x 45 x 90	71 x 51 x 118
Net weight (lbs)	270	427
Gross weight (lbs)	319	537

# UNPACKING & CHECKING CONTENTS:



**A: Main Housing**

**B: Cannister Housing**

**C: Reducing Connector**

**D: Hose**

**E: Drum Lid**

**F: Upper Drum**

**G: Lower Drum**

**H: Upper Stand**

**I: Lower Stand**

**J: Inlet**

**K: Polyester Bag**

**L: Bag Clamp**

**M: Bag Clamp**

**N: Hose Clamp**

**O: Hardware Pack**

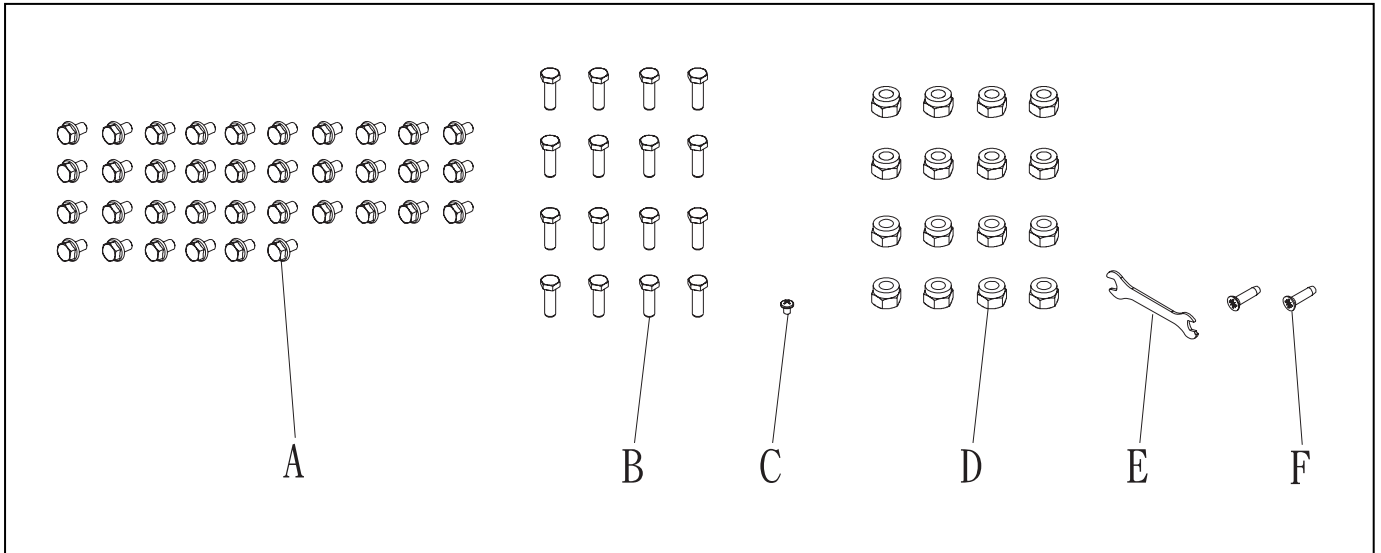
**P: Handle**

**Q: Wheel**

**R: Quick Lever**

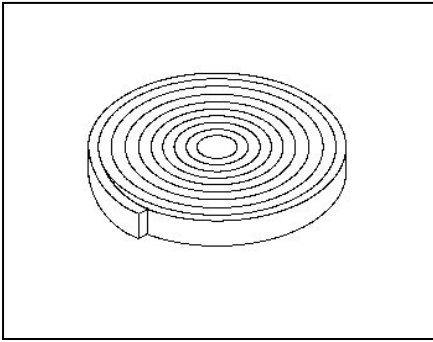
**S: Cannister**

**Hardware package:**

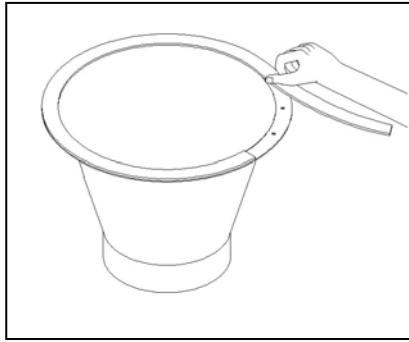


<b>NO.</b>	<b><u>Description</u></b>	<b><u>Specification</u></b>	<b>Q'TY</b>	<b>Part List No.</b>
<b>A</b>	<b>Flange Bolt</b>	<b>5/16"*1/2"</b>	<b>36</b>	<b>NO.17</b>
<b>B</b>	<b>Flange Bolt</b>	<b>5/16"*3/4"</b>	<b>16</b>	<b>NO.64</b>
<b>C</b>	<b>Phillip Head Screw</b>	<b>3/16"*3/8"</b>	<b>1</b>	<b>NO.63</b>
<b>D</b>	<b>Nut</b>	<b>5/16"</b>	<b>16</b>	<b>NO.65</b>
<b>E</b>	<b>Open Wrench</b>	<b>10*12</b>	<b>1</b>	<b>NO.68</b>
<b>F</b>	<b>Flat Head Screw</b>	<b>1/4"*5/8"</b>	<b>2</b>	<b>NO.13</b>

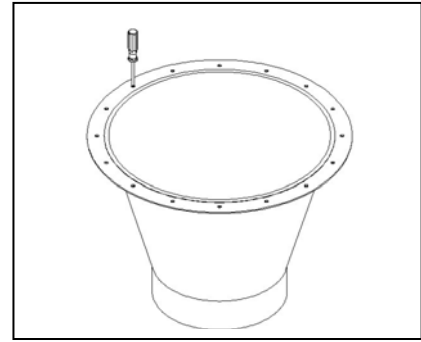
## ASSEMBLY INSTRUCTION:



(Fig.A)



(Fig.B)



(Fig.C)

Step 1-1.1 Open the package and take out the foam. (See Fig.A)

Step 1-1.2 Stick the foam around the reducing collector flange. (See Fig.B)

Step 1-1.3 Use a screwdriver to make a hole through the foam to allow the Hex. Head bolts through.  
(See Fig.C)

### STEP 1-2.

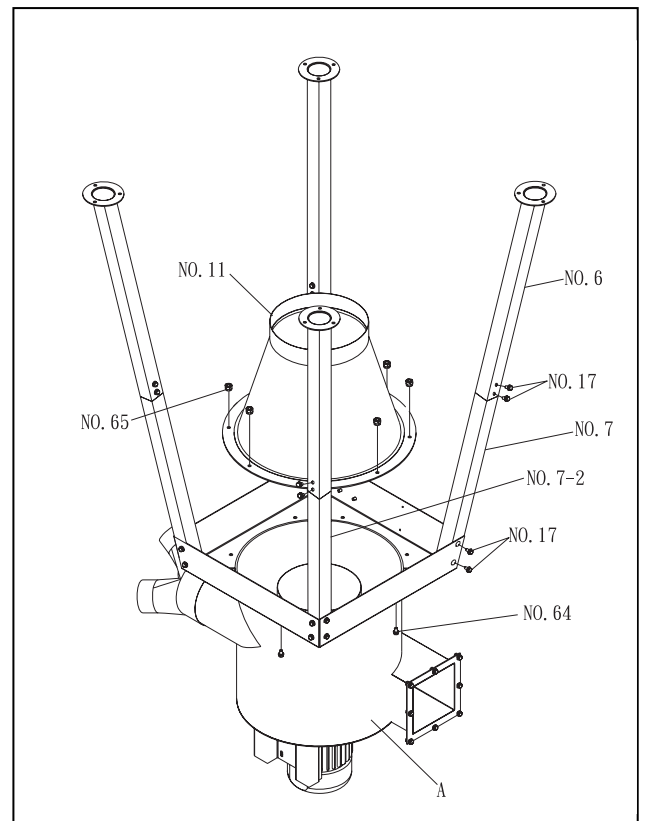
Place the main housing (A) upside down.

Assemble the reducing connector (11) together with the main housing and tighten with flange bolts (64) and nuts (65)

### STEP 1-3.

Assemble the upper supports (7) and lower supports (6) together with flange bolts (17) then tighten the stands to the housing (A) with flange bolts (17).

See (Fig.1)

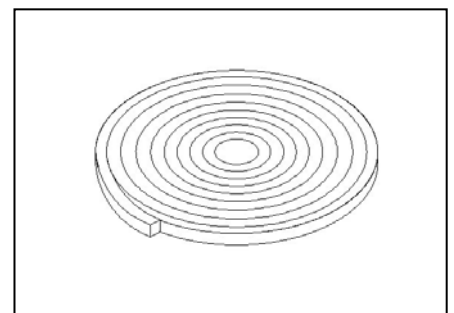


(Fig.1)

### Step 1-4.

Open the package and take out the foam.

See (Fig.D)



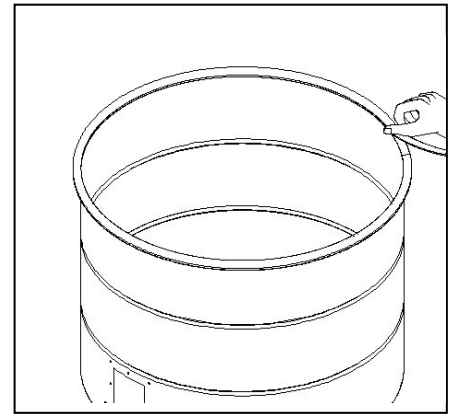
(Fig.D)



Step 1-5.

Tape the foam on the bottom of the upper collecting drum.

See (Fig.E)



(Fig.E)

STEP 2-1.

Lift the machine up.

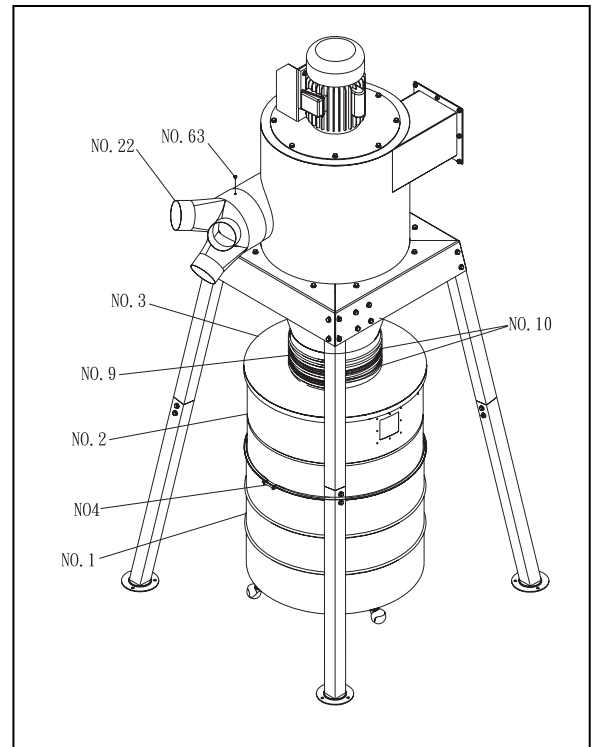
**CAUTION!!!**

**The main housing set is heavy, please have at least 4 people working together to lift it up!!!**

Place the inlet (22) on the main housing inlet and secure with the Phillip head screw. (63)

STEP 2-2.

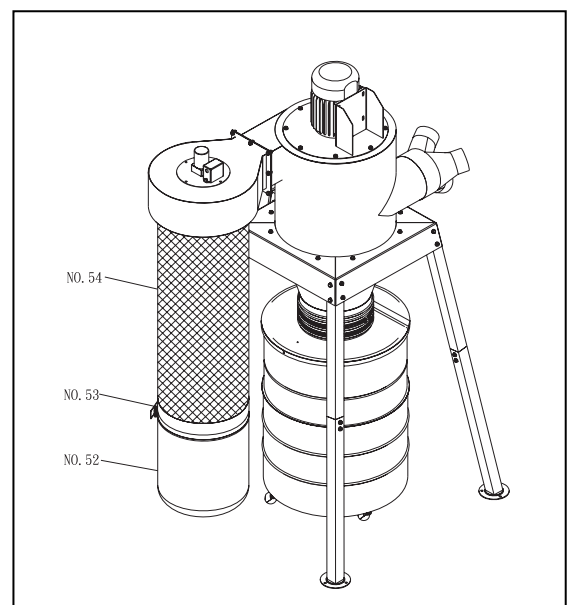
Assemble the upper drum (2) and lower drum (1) together drum clamp (4). Place the drum lid (3) on the drum then connect the hose (9) to the top of the drum lid and the bottom of the reducing connector and tighten with hose clamps (10). See (Fig.2)



(Fig.2)

STEP 3-1.

Assemble the canister set (54) onto the main housing with flange bolts (17). Place the polyester bag (52) on the bottom bottom of the canister and tighten with the bag clamp (53). See (Fig.3)



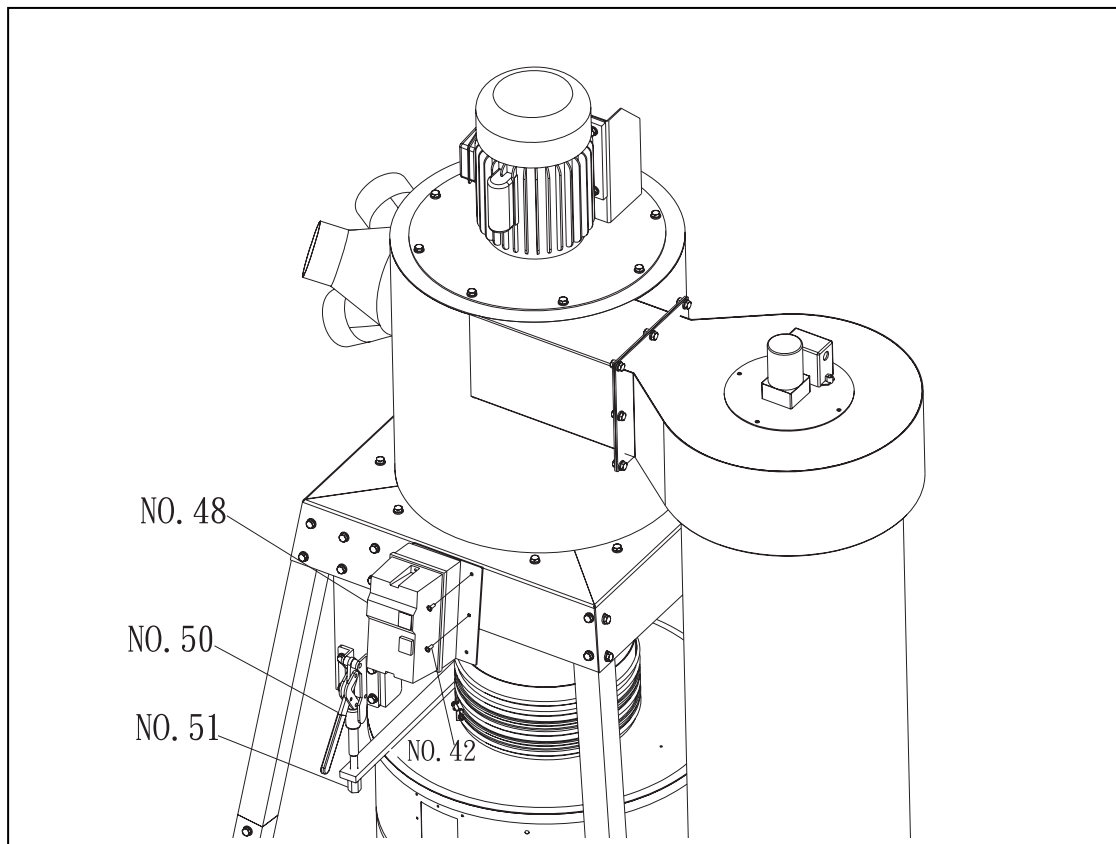
(Fig.3)

STEP 4-1

Attach the switch (48) with plate to the main housing with flat head screw (42).

Attach the quick lever set (50) to the main housing with flange bolts and to the drum lid with nut (51).

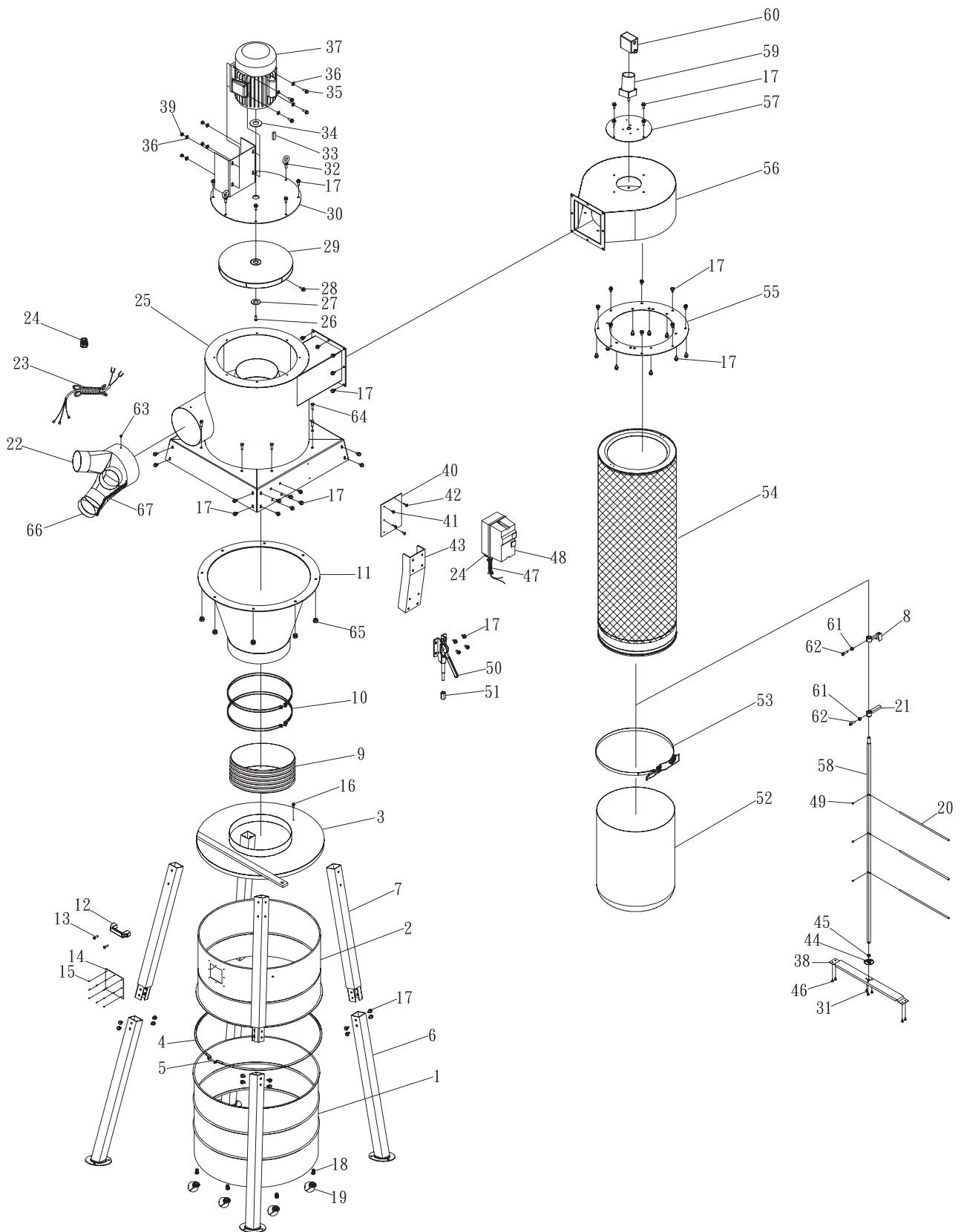
See (Fig.4)



(FIG.4)

All the assembly steps are completed.

# EXPLODED DIAGRAM-----



## Part List

<b>NO.</b>	<b><u>Description</u></b>	<b><u>Specification</u></b>	<b>Q'TY</b>
1	Lower Collecting Drum		1
2	Upper Collecting Drum		1
3	Drum Lid		1
4	Drum Clamp		1
5	Phillip Head Screw	1/4"X2"	1
6	Lower Stand		4
7	Upper Stand		4
8	Rod Kit		1
9	Hose	$\phi$ 12" X120	1
10	Clamp	12-1/2"	2
11	Reducing Connector		1
12	Handle		1
13	Flat Head screw	1/4"X5/8"	2
14	PC Board		1
15	Rivet	4-2	8
16	Copper Screw	3/16"X3/8"	1
17	Flange Bolt	5/16"X1/2"	60
18	Rivet	5/16"	4
19	Wheel	48	4
20	Bar		3
21	Rod		1
22	Inlet	8"X4"	1
23	Motor Cord		1
24	pushing	PG-16	2
25	Housing		1
26	Cap Screw	M6X20	1
27	Impeller Washer		1
28	Set Screw	3/8"X3/4"	1
29	impeller	$\phi$ 14"	1
30	Motor Plate		1
31	Bottom Head Screw	M5XM6	6
32	Hook	5/16"	2
33	Key	7X7X25	2
34	Motor Packing	101	1
35	Hex Head Bolt	5/16"X1	12

36	Washer	5/16"X23X1.5T	16
37	Motor	3HP	1
38	Lower Fixing Plate		2
39	Nut	5/16"	12
40	Switch Plate		1
41	Phillip Head Screw	1/4"X1/2"	2
42	Phillip Head Screw	3/16"X1/2"	2
43	Support Set		1
44	Ball Bear Fixing Plate		2
45	Ball Bearing	1206	2
46	Phillip Head Screw	M5X10	8
47	Power Cord		1
48	Switch		1
49	Set Screw	M5X5	3
50	Quick Lever		1
51	Nut		1
52	Polyester Bag		1
53	Bag Clamp	CK500	1
54	Canister		1
55	Canister Fixing Plate		1
56	Canister Housing		1
57	Cover		1
58	Spindle		1
59	Reducing Motor	6W	1
60	Box		1
61	Nut	M5	2
62	Cap Screw	M5X12	2
63	Phillip Head Screw	3/16"X3/8"	1
64	Flange Bolt	5/16"X3/4"	16
65	Nut	5/16"	16
66	Cap	4"	2
67	Chain		1
68	Open Wrench	10*12	

## **Warranty**

Oliver makes every effort possible to assure that its equipment meets the highest possible standards of quality and durability. All products sold by Oliver are warranted to the original customer to be free from defects for a period of 2 (two) years on all parts, excluding electronics and motors, which are warranted for 1 year. Oliver's obligation under this warranty shall be exclusively limited to repairing or replacing at Oliver's option products which are determined by Oliver to be defective upon delivery F.O.B. (return freight paid by customer) to Oliver, and on inspection by Oliver. This warranty does not apply to defects due, directly or indirectly, to misuse, abuse, negligence, accidents, unauthorized repairs, alterations, lack of maintenance, acts of nature, or items that would normally be consumed or require replacement due to normal wear. In no event shall Oliver be liable for death, personal or property injury, or damages arising from the use of its products.

## **Warning**

Read this manual thoroughly before operating the machine. Oliver Machinery disclaims any liability for machines that have been altered or abused. Oliver Machinery reserves the right to effect at any time, without prior notice, those alterations to parts, fittings, and accessory equipment which they may deem necessary for any reason whatsoever.

## **For More Information**

Oliver Machinery is always adding new Industrial Woodworking products to the line. For complete, up-to-date product information, check with your local Oliver Machinery distributor, or visit [www.olivermachinery.net](http://www.olivermachinery.net)