



7120 Dust Collector

Owner s Manual



Oliver Machinery

Seattle, WA
info@olivermachinery.net

M-7120 06/2012

© Copyright 2003
www.olivermachinery.net

IMPORTANT SAFETY RULES

Wood working can be dangerous if safe and proper operating procedures are not followed. As with all machinery, there are certain hazards involved with the operation of the product. Using the machine with respect and caution will considerably lessen the possibility of personal injury. However, if normal safety precautions are overlooked or ignored, personal injury to the operator may result. Safety equipment such as guards, push sticks, hold-downs, featherboards, goggles, dust masks and hearing protection can reduce your potential for injury. But even the best guard won't make up for poor judgment, carelessness or inattention. Always use common sense and exercise caution in the workshop. If a procedure feels dangerous, don't try it. Figure out an alternative procedure that feels safer. REMEMBER: Your personal safety is your responsibility.

WARNING: FAILURE TO FOLLOW THESE RULES MAY RESULT IN SERIOUS PERSONAL INJURY

1. FOR YOUR OWN SAFETY, READ INSTRUCTION MANUAL BEFORE OPERATING THE TOOL. Learn the tool's application and limitations as well as the specific hazards peculiar to it.
2. KEEP GUARDS IN PLACE and in working order
3. ALWAYS WEAR EYE PROTECTION
4. GROUND ALL TOOLS. If tool is equipped with three-prong plug, it should be plugged into a three-hole electrical receptacle. If an adapter is used to accommodate a two-prong receptacle, the adapter plug must be attached to a known ground. Never remove the third prong.
5. REMOVE ADJUSTING KEYS AND WRENCHES. Form habit of checking to see that keys and adjusting wrenches are removed from tool before turning it "ON".
6. KEEP WORK AREA CLEAN. Cluttered areas and benches invite accidents.
7. DON'T USE IN DANGEROUS ENVIRONMENT. Don't use power tools in damp or wet locations, or expose them to rain. Keep work area well lighted.
8. KEEP CHILDREN AND VISITORS AWAY. All children and visitors should be kept a safe distance from work area.
9. MAKE WORKSHOP CHILDPROOF with padlocks, master switches, or by removing starter keys.
10. DON'T FORCE TOOL. It will do the job better and be safer at the rate for which it was designed.
11. USE RIGHT TOOL. Don't force tool or attachment to do a job for which it was not designed.
12. WEAR PROPER APPAREL. No loose clothing, gloves, neck-ties, rings, bracelets, or other jewelry to get caught in moving parts. Non-slip footwear is recommended. Wear protective hair covering to contain long hair.
13. ALWAYS USE SAFETY GLASSES. Wear safety glasses. Everyday eyeglasses only have impact resistant lenses; they are not safety glasses. Also use face or dust mask if cutting operation is dusty.
14. SECURE WORK. Use clamps or a vise to hold work when practical. It's safer than using your hand and frees both hands to operate tool.
15. DON'T OVERREACH. Keep proper footing and balance at all times.
16. MAINTAIN TOOLS IN TOP CONDITION. Keep tools sharp and clean for best and safest performance. Follow instructions for lubricating and changing accessories.
17. DISCONNECT TOOLS before servicing and when changing accessories such as blades, bits, cutters, etc.
18. USE RECOMMENDED ACCESSORIES. The use of accessories and attachments not recommended by us may cause hazards or risk of injury to persons.
19. REDUCE THE RISK OF UNINTENTIONAL STARTING. Make sure switch is in "OFF" position before plugging in power cord.
20. NEVER STAND ON TOOL. Serious injury could occur if the tool is tipped or if the cutting tool is accidentally contacted.
21. CHECK DAMAGED PARTS. Before further use of the tool, a guard or other part that is damaged should be carefully checked to ensure that it will operate properly and perform its intended function check for alignment of moving parts, binding of moving parts, breakage of parts, mounting, and any other conditions that may affect its operation. A guard or other part that is damaged should be properly repaired or replaced.
22. DIRECTION OF FEED. Feed work into a blade or cutter against the direction of rotation of the blade or cutter only.
23. NEVER LEAVE TOOL RUNNING UNATTENDED. TURN POWER OFF. Don't leave tool until it comes to a complete stop.
24. DRUGS, ALCOHOL, MEDICATION. Do not operate tool while under the influence of drugs, alcohol or any medication.
25. MAKES SURE TOOL IS DISCONNECTED FROM POWER SUPPLY while motor is being mounted, connected or reconnected.
26. WARNING: The dust generated by certain woods and wood products can be injurious to your health. Always operate machinery in well ventilated areas and provide for proper dust removal. Use wood dust collection systems whenever possible.

IMPORTANT SAFETY RULES FOR DUST COLLECTORS

WARNING: Basic precautions should always be followed when using your dust collector. To reduce the risk of injury, electrical shock or fire, comply with the safety rules listed below:

1. READ and understand the instruction manual before operating the dust collector.
2. DO NOT leave the dust collector plugged into the electrical outlet. Unplug dust collector from outlet when not in use and before servicing, changing bags, unclogging and cleaning.
3. ALWAYS turn the power switch "OFF" before unplugging the dust collector.
4. WARNING: TO REDUCE THE RISK OF ELECTRICAL SHOCK do not use outdoors or on wet surfaces. Use for dry pickup only!
5. FOLLOW all electrical and safety codes, including the National Electric Code (NEC) and the Occupational Safety and Health Regulations (OSHA). All electrical connections and wiring should be made by qualified personnel only.
6. DO NOT use the dust collector to pick up flammable or combustible liquids, such as gasoline. NEVER use the dust collector near any flammable or combustible liquids.
7. USE the dust collector to pick up wood materials only. DO NOT use the dust collector to pick up metal shavings, dust, water, or parts.
8. NEVER use the dust collector to dissipate fumes or smoke. NEVER pick-up anything that is burning or smoking, such as cigarettes, matches or hot ashes.
9. USE only as described in this manual.
10. DO NOT pull the dust collector by the power cord. NEVER allow the power cord to come in contact with sharp edges, hot surfaces, oil or grease.
11. DO NOT unplug the dust collector by pulling on the power cord. ALWAYS grasp the plug, not the cord.
12. DO NOT handle the plug or dust collector with wet hands.
13. REPLACE a damaged cord immediately. DO NOT use a damaged cord or plug. If the dust collector is not operating properly, or has been damaged, left outdoors or has been in contact with water, return it to an Authorized Service Center for service.
14. DO NOT use the dust collector as a toy. DO NOT use near or around children.
15. DO NOT insert fingers or foreign objects into the dust intake ports. Keep hair, loose clothing, fingers, and all body parts away from openings and moving parts of the dust collector.
16. DO NOT use the dust collector without a filter bag and dust collection bag in place and properly secured.
17. DO NOT operate the dust collector with unused dust intake ports uncapped. ALWAYS cover exposed dust intake ports.
18. PERIODICALLY INSPECT dust and filter bags for any cuts, rips or tears. NEVER operate the dust collector with a damaged bag or vacuum hose.
19. The dust collector is designed for home use or light commercial duty ONLY!
20. CONNECT dust collector to a properly grounded outlet only. See Grounding Instructions.

GROUNDING INSTRUCTIONS

The appliance must be grounded, if it should malfunction or breakdown, grounding provides a path of least resistance for electric current to reduce the risk of electric shock. This appliance is equipped with a cord having equipment-ground conductor and grounding plug. The plug must be inserted to an appropriate outlet that is properly installed and grounded in accordance with all local codes and ordinances.

WARNING

Improper connection of the equipment-grounding conductor can result in a risk of electric shock. Check with a qualified electrician or service person if you are in doubt as to whether the outlet is properly grounded. Do not modify the plug provided with the appliance – if it will not fit the outlet installed by a qualified electrician.

FOR GROUNDED, CORD-CONNECTED APPLIANCES:

This appliance is for use on a circuit having a normal rating more than 120 volt and is equipped with a proper specific electric cord and plug to permit connection to a proper electric circuit. Make sure the appliance is connected to an outlet having the same configuration as the plug.

No adaptor should be used with this appliance. If the appliance must be reconnected for use on a different circuit a qualified service personnel should make the reconnection.

FOR A PERMANENTLY CONNECTED APPLIANCE:

This appliance must be connected to a grounded metal, permanent wiring system; or an equipment-grounding conductor must be run with the circuit conductors and connected to the equipment grounding on the appliance

Specifications

Model	Unit	7120
Motor	Hp	1
Air Velocity	ft/sec	130
Air Delivery	Ft3/min	671
Dust Port	Inch	4
Collector Bag	Inch	14.5
Overall Size	Inch	30x15x73
Packing Size	Inch	31x17x15
Net Weight	Lbs	80
Gross Weight	lbs	84

Table of Contents

1. Unpacking and assembly.
2. Machine application.
3. Explanation of symbols.
4. Handling and transportation
5. Noise declaration
6. Replacement of dust collection bag.
7. Operation
8. Assembly drawing.
9. Parts List

1. Unpacking and Assembly

- a. Unpack the shipping container with care.
- b. Check for missing parts in accordance with the assembly drawing.
- c. Assemble the dust collector in accordance to the assembly drawing.
- d. Contact your dealer for any assembly problems or missing parts.




Warning! Do not connect the dust collector to the power source until the machine is completely assembled and you have read and understand the entire instruction manual.

Note: The drawing and parts list for assembly are on pages 10-11

2. Machine Application

- a. Purpose of this machine : Basically this dust collector was designed to be connected to a woodworking machine so as to collect the wood chips produced during operation.
- b. The following items are prohibited for this machine.
 - operating machine without going through this manual.
 - operating machine without making sure that every safety precaution is adhered to as explained in the safety sections of this manual.

3. Explanation of Warning Decals

Beware of Electric Shock	Do Not Touch Rotational Fan	Read Manual Before Operating
 A yellow triangular warning sign with a black border and a black lightning bolt symbol in the center.	 A black circular prohibition sign with a white hand symbol in the center, crossed out by a diagonal slash.	 A black circular sign with a white open book symbol in the center.

4. Handling and Transportation

The net weight of this machine is about 80lbs. It can be handled and transported without the help of lifting tools.

5. Noise Declaration

The figures quoted are emission levels and are not necessarily safe working levels.

While there is a correlation between the emission and exposure levels, this cannot be used reliably to determine whether or not further precautions are required. Factors that influence the actual level of exposure of the work force include the characteristics of the work room, as well as other sources of noise, ie. The number of machines and other adjacent processes. This information however, will enable the user of the machine to make a better evaluation of the hazard and risk.

Based on the statement as mentioned above, the noise level for this model is about 80db(A).

6. Operation

1. Connect the appropriate size dust collection hose (4 inch diameter) between the dust collector and the dust port of the woodworking machine using appropriate hose clamps to secure the hose in place.
2. In order to ensure the good performance of dust collection, be sure to check that the ratings of the dust collector match the requirements of the machine it's being connected to.
3. After the proper connection of dust collector and machine, connect the power according to the electrical connection instructions stated earlier in this manual.
4. This dust collector is switched ON/OFF by pushing the I/O push buttons. During normal operation, always use the I/O buttons rather than pulling the plug from the power source.

7. Replacement of dust collection bag

1. When the dust collection bag is full of sawdust , it is time to empty it.
2. It is recommended to replace the collection bag.
3. The proper assembly procedure of dust collection bag is done as the following steps:

A. Hook the loop on top of filter bag onto the filter bag support rod .

B. Assemble extension rod onto the end of filter bag support rod. Raise the support rods with the attached filter bag and place the end of the support rod into holes of bracket.

Note: The flared end of the filter bag extension rod will prevent the rod from sliding through the bracket

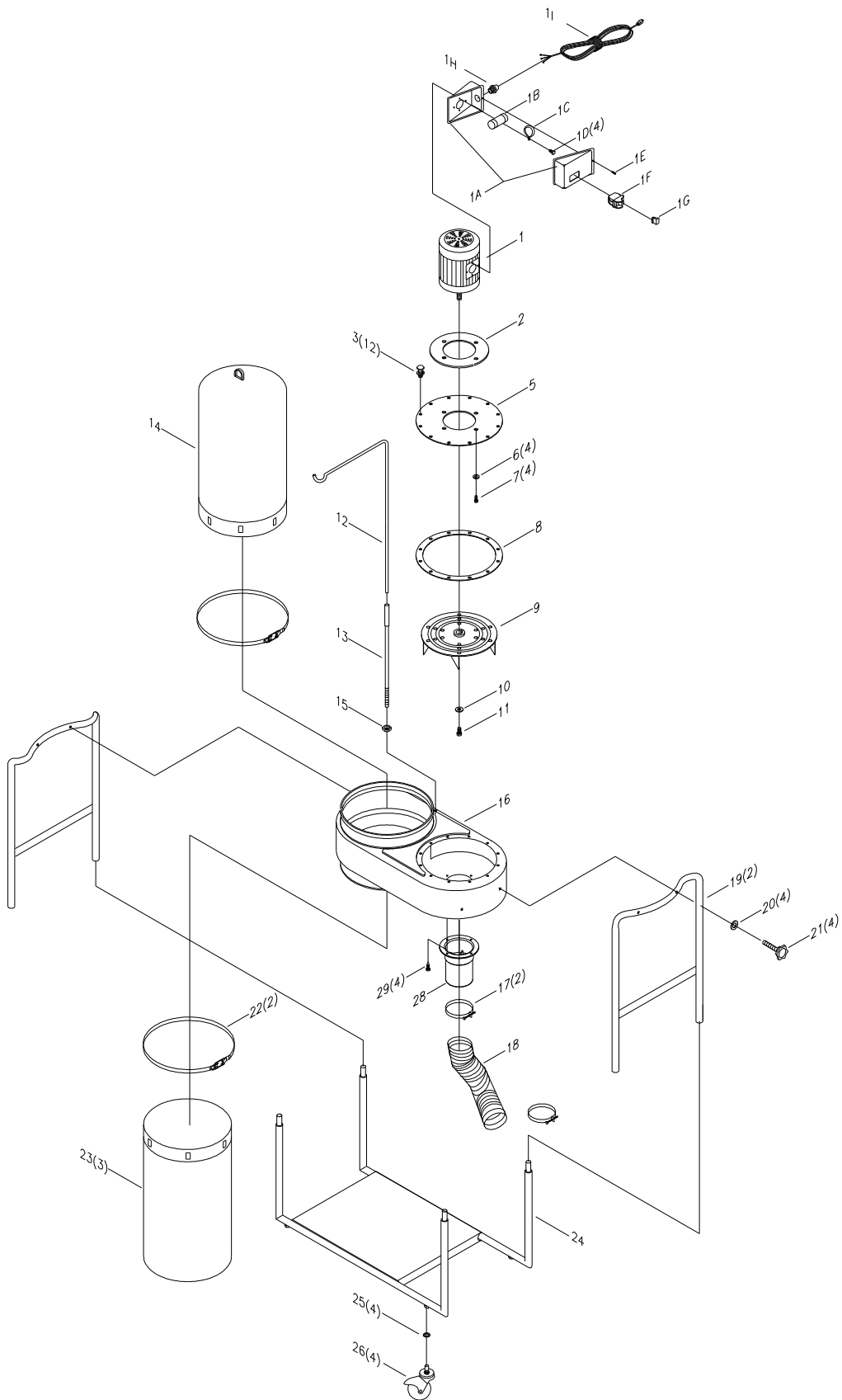
C. Position the open end of filter bag over the upper lip of support drum. Insert the locking band through the loops of filter bag and fasten the bag to the drum.

Note: Make certain the locking band is positioned in the channel of the drum before fastening the clamp.

D. Use the remaining locking band to secure the lower collection bag. Position the open end of the collection bag over the lower lip of the drum and fasten in place with the locking clamp.

Note: Make certain the locking band is positioned in the channel of the drum before locking the clamp.

7120



PART LISTS

PART NO.	PART NAME	Q' TY
1	MOTOR	1
1A	CONJUNCTION BOX	1
1B	CAPACITOR 50MF/250V	1
1C	SET RING	1
1D	SCREW-LOWER COVER 10-24X 3/8"	4
1E	SCREW-UPPER COVER 10-24X1/2"	1
1F	SWITCH	1
1G	SAFTY PIN	1
1H	STRAIN RELIEF	1
1I	POWER CORD	1
2	MOTOR GASKET	1
3	HEX HD SCREW (5/16"X1/2)	12
5	MOTOR COVER	1
6	EXTERNAL TOOTH LOCK WASHER (5/16")	4
7	HEX HD SCREW (5/16"X3/4"L)	4
8	MOTOR COVER GASKET	1
9	IMPELLER(Ø9")	1
10	FLAT WASHER (5/16"XØ30X3)	1
11	HEX HD SCREW (5/16"X3/4")	1
12	UPPER HANGER(Ø7*615*625)	1
13	LOWER HANGER(Ø9.5*350)	1
14	FILTER BAG (5micron)	1
15	HEX NUT (5/16")	1
16	BLOWER HOUSING	1
17	4" HOSE CLAMP	2
18	4" X1.5M FLEXIBLE HOSE	1
19	U-TYPE SUPPORT	2
20	FLAT WASHER (5/16"X18X2)	4
21	BUTTON SCREW (5/16"X2")	4
22	BAG BAND(Ø350)	2
23	COLLECTOR BAG(Ø380X980mm)	3
24	U-TYPE STAND	1
25	LOCK WASHER (3/8")	4
26	CASTER(2x3/8")	4
28	INLET ADAPTOR Ø4"x1HOLE(SHARK FIN)	1
29	METAL SCREW	4