



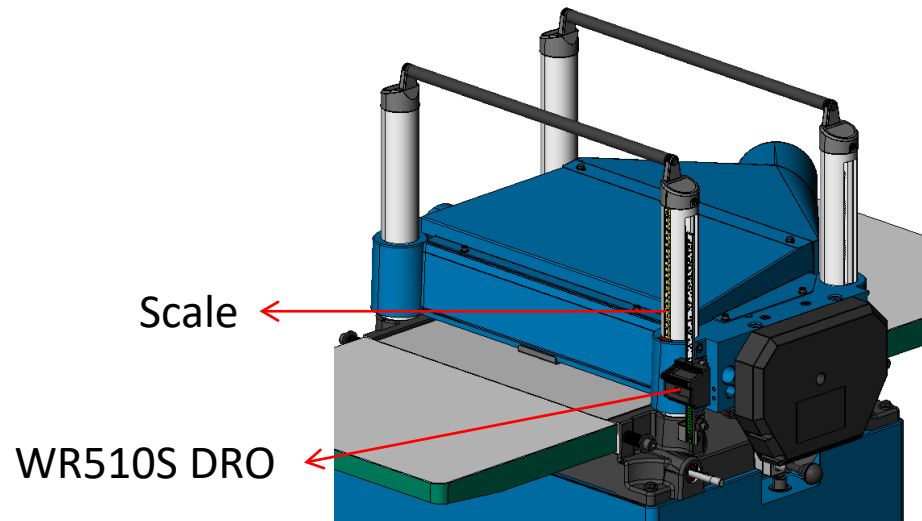
**A TRADITION
OF INNOVATION**

**WIXEY WR510S DRO
CALIBRATION**

#CALWR510S

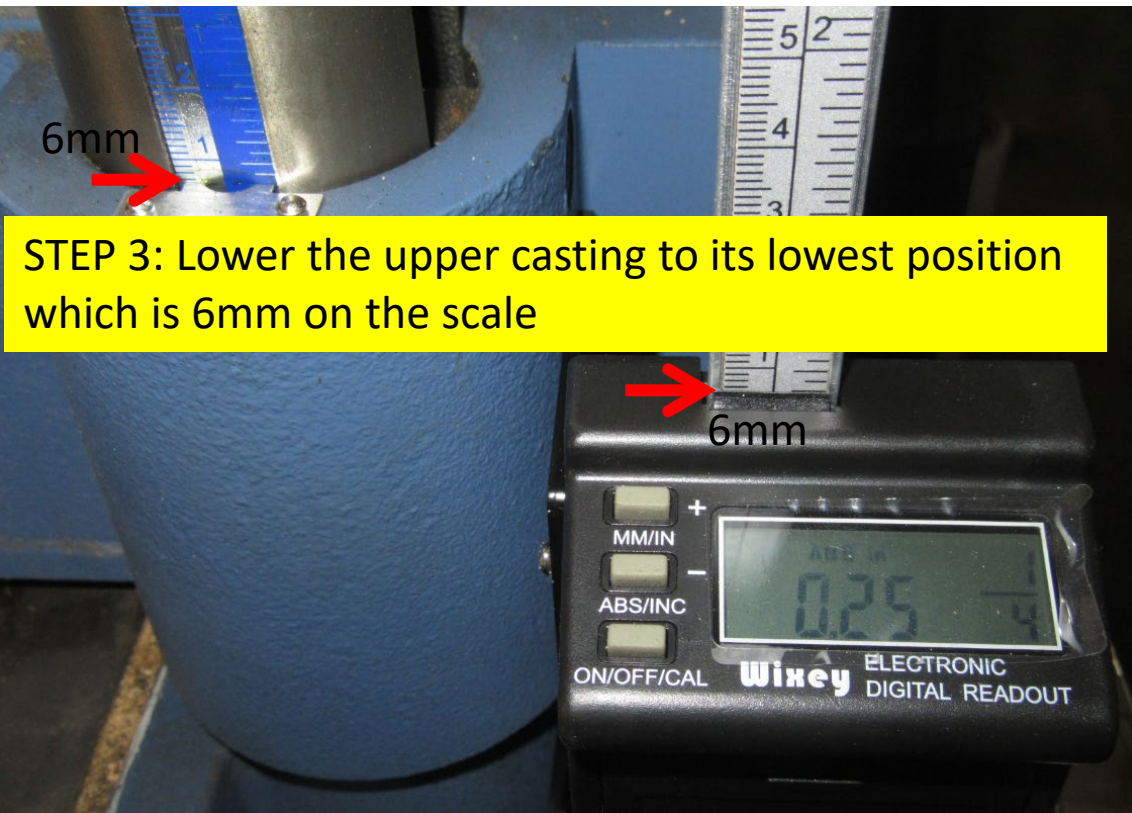
STEP 1: Plane a board with a flat bottom to 1-1/4" or 1".

STEP 2: Use a caliper to measure the thickness and adjust the scale, if needed, as this will be your reference when calibrating the WR510S DRO

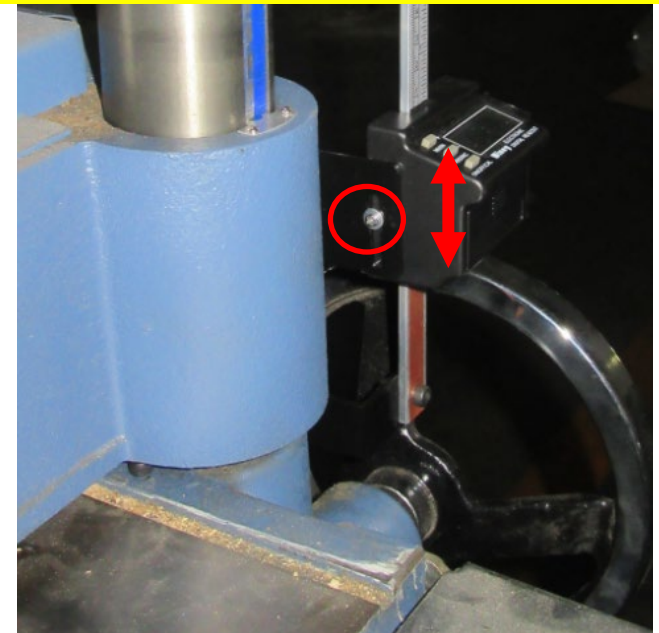


Model 4430 Shown

Adjust WR510S display to the same height/number as the scale



STEP 4: Loosen this screw to move the DRO to 6mm on the scale and tighten the DRO



Setting WR510S

STEP 5: Press **【ON/OFF/CAL】** button to start the display ABS mm mode



STEP 6: Press & hold **【ON/OFF/CAL】** button
When ABS blinks, release the **【ON/OFF/CAL】** button,
and it should become zero.



STEP 7: With ABS is still blinking
Confirm DRO is on 6mm position



STEP 8:

Setting numbers to 6mm: press **【+】** each time to increase 0.1mm while press **【+】** increases 0.1mm **【-】** each time to decrease 0.1mm.

STEP 9:

After setting, press **【ON/OFF/CAL】** button. The ABS should stop blinking, and the setting is complete.



After calibration, lift the upper casting to 6" (10014) or 8" (4430) and check if the scale and DRO show the same.

SCALE

