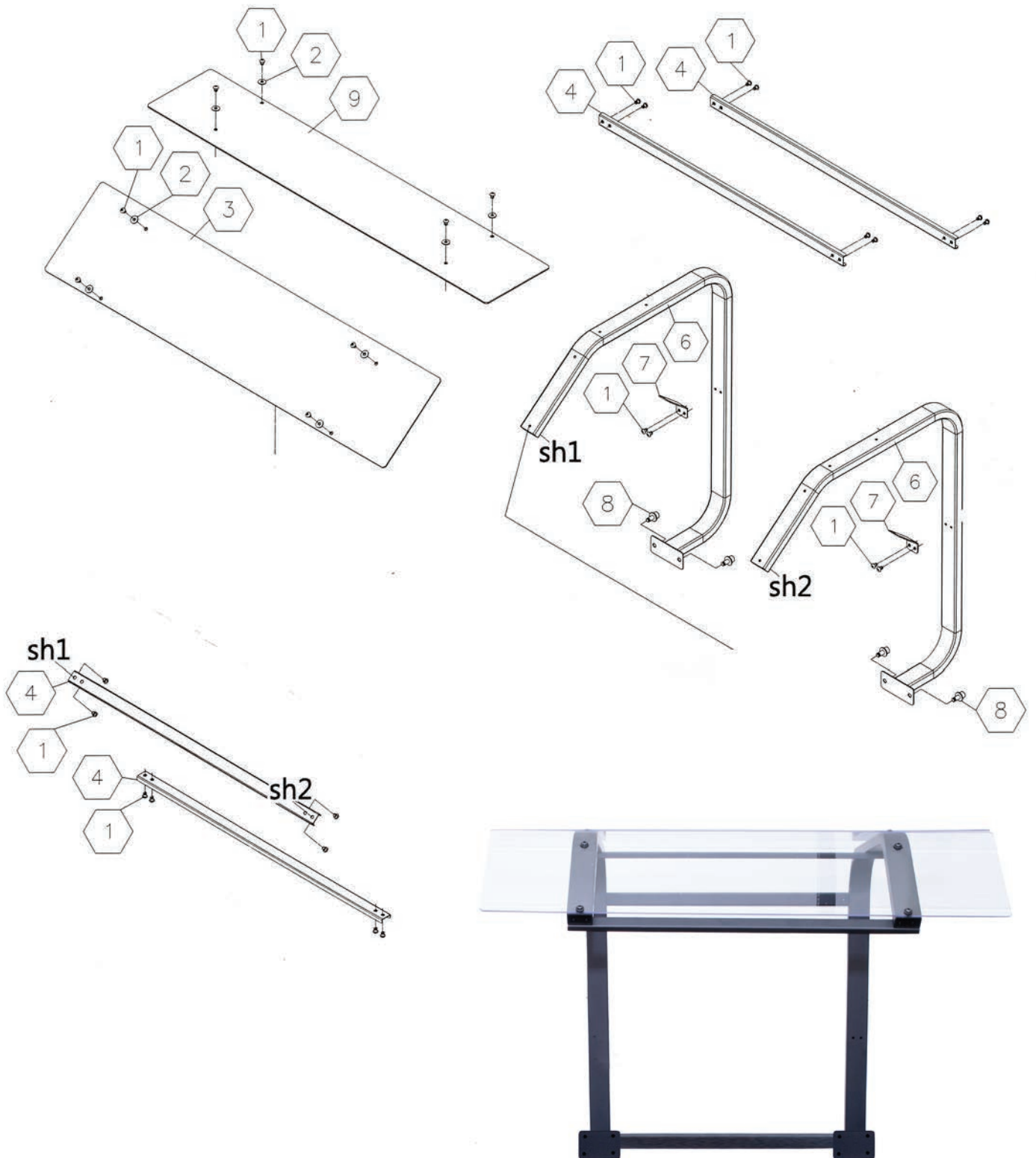




# Manual/Schematic for Protective Guard Assembly

SKU 2019.A002





# Manual/Schematic for Side Tool Rest Assembly

SKU 2019.A001

