

Figure 1 — Replacement Parts Illustration for Miter Gauge

Replacement Parts List for Miter Gauge

REF. NO.	DESCRIPTION	PART NO.	QTY.	REF. NO.	DESCRIPTION	PART NO.	QTY.
1	Handle	1086.00	1	6	Indicator	1091.00	1
2	Washer, 10mm	1087.00	1	8	Setscrew, 6mm - 1.0 x 6	0964.00	1
3	Bar	3001.00	1	10	Roller guide	.00	1
4	Gauge	3002.00	1	11	Flat head screw, 6mm - 1.0 x 8	1095.00	1

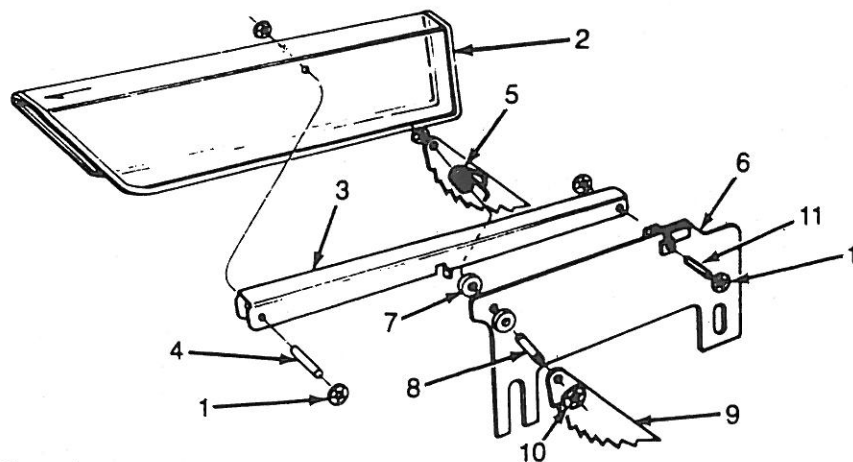


Figure 2 — Replacement Parts Illustration for Guard Assembly

Replacement Parts List for Guard Assembly

REF. NO.	DESCRIPTION	PART NO.	QTY.	REF. NO.	DESCRIPTION	PART NO.	QTY.
1	Push nut	1069.00	4	6	Spreader	3006.00	1
2	Clear blade guard	1070.00	1	7	Spacer	1075.00	2
3	Guard support	3004.00	1	8	Pin	1076.00	1
4	Pin	1072.00	1	9	Antikickback pawl	3007.00	2
5	Spring	1073.00	1	10	Snap ring	1078.00	2
				11	Pin	1079.00	1

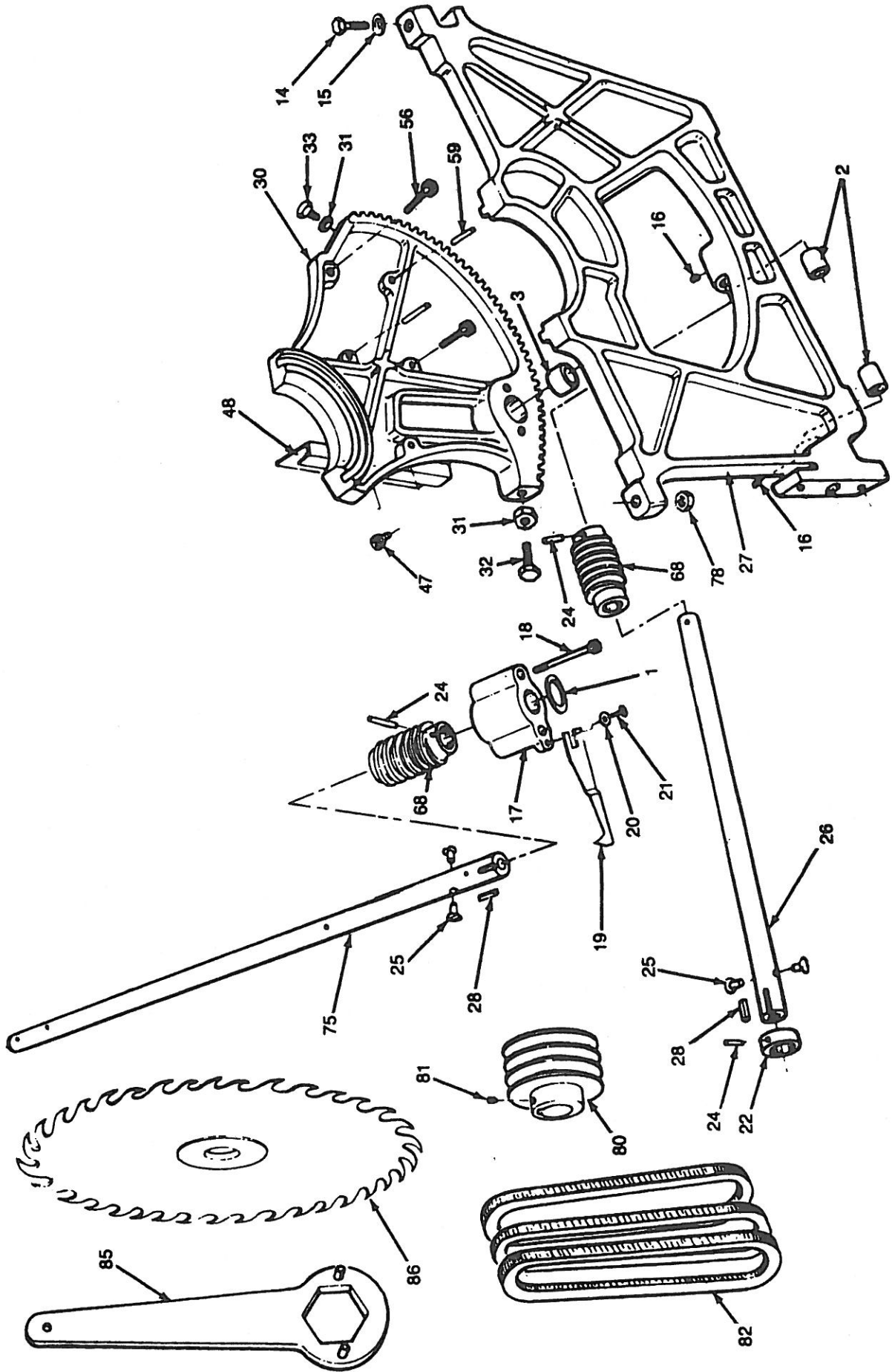
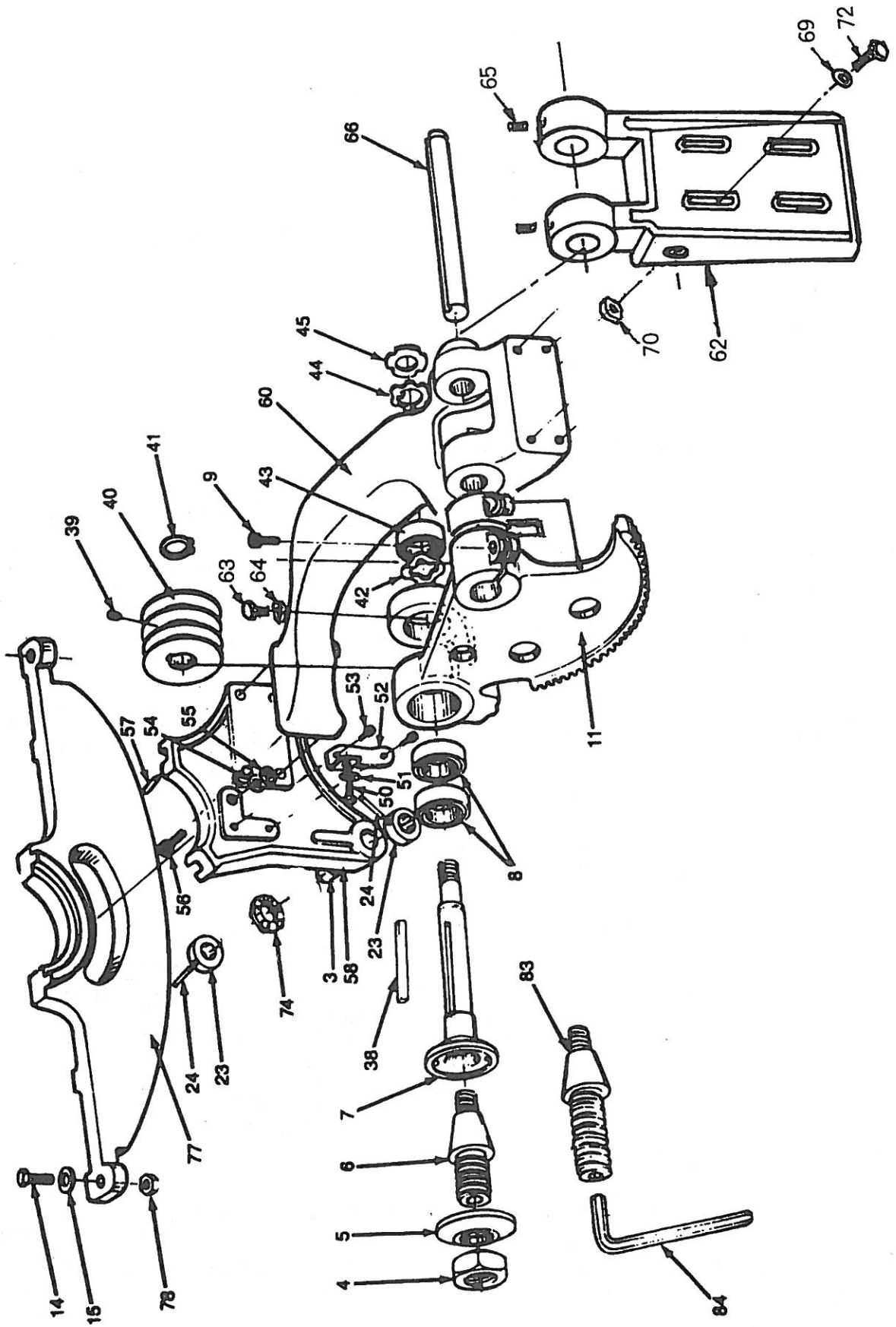


Figure 3 — Replacement Parts Illustration for Main Mechanism



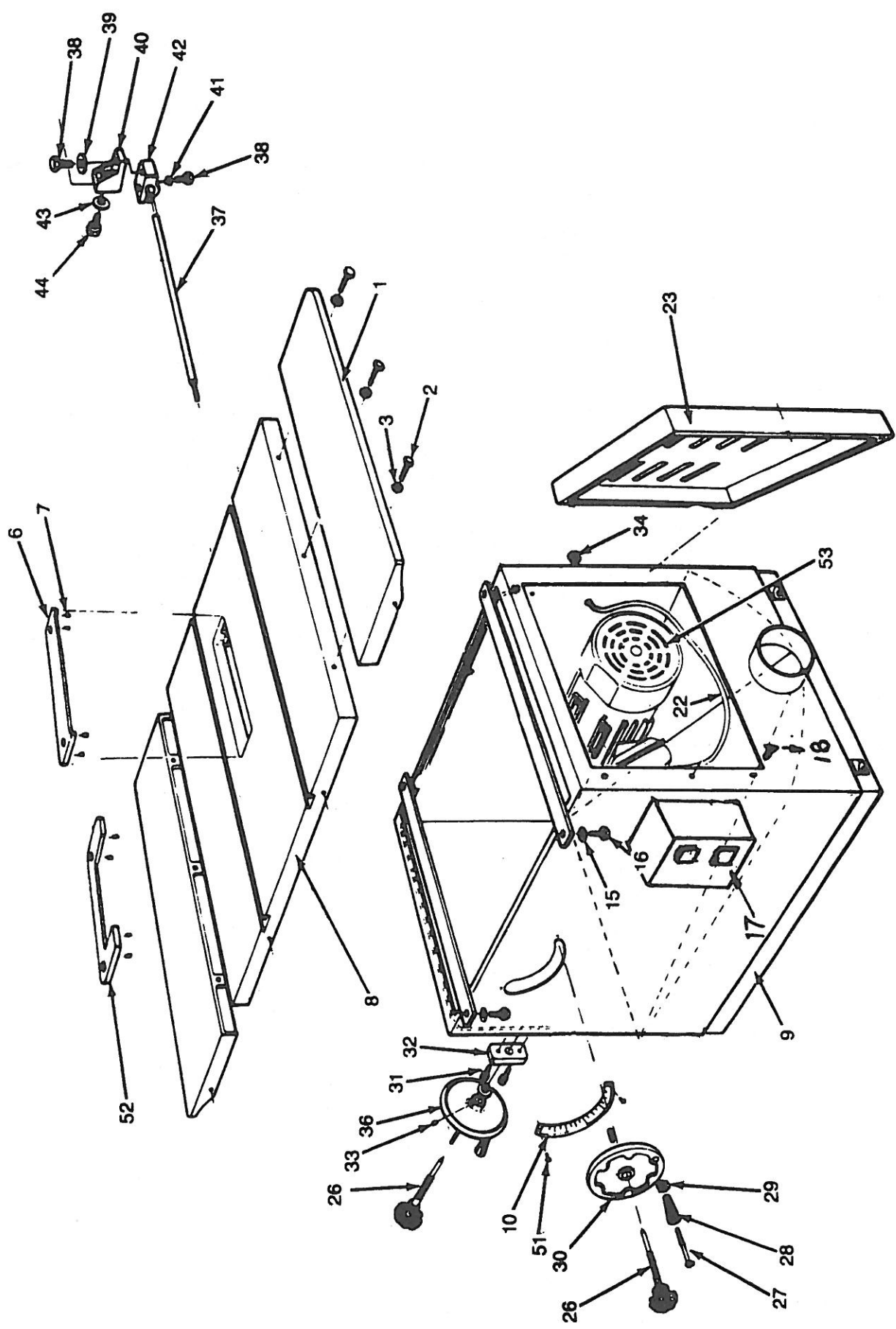


Figure 4 — Replacement Parts Illustration for Table and Base Assembly

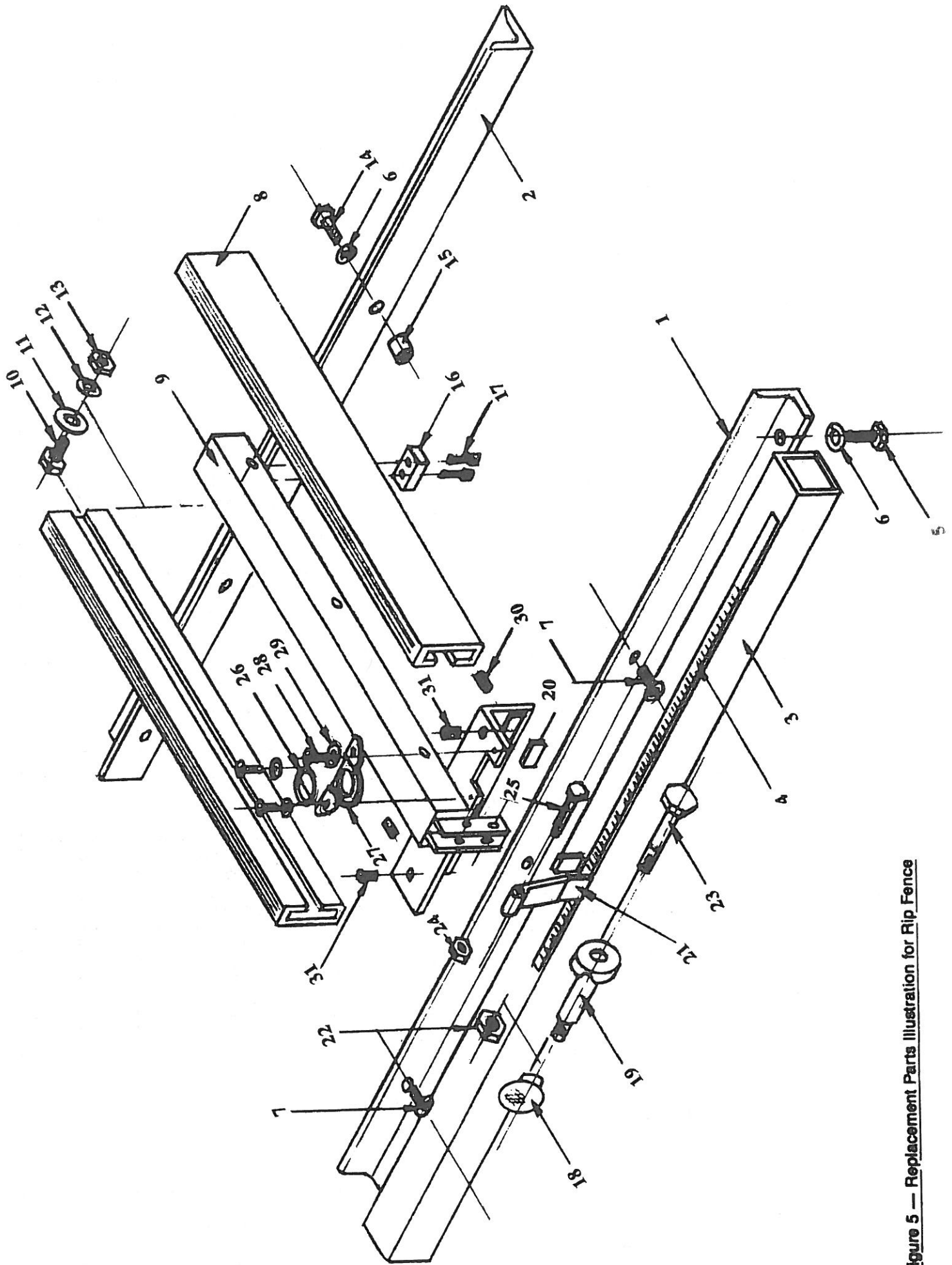


Figure 5 — Replacement Parts Illustration for Rip Fence